

CALDARA



100% MADE IN ITALY

3XL37PRO

3-section multifunctional couch



## 3XL37PRO

### BASIC CONFIGURATION

The structure is made of tubular furniture with remarkable performance characteristics that guarantee stability and robustness. It comes with this essential and innovative line that makes it very comfortable and easy for the operator to use. The upper floor has three electrically adjustable sections.

The back and the leg are operated by three linear electric actuators, the first reaches an inclination of 80°. Height adjustment and Trendelenburg (-18°) and reverse Trendelenburg (+18°) position are carried out by means of two column actuators able to move both simultaneously in parallel and in a separate list. The control devices useful for the adjustments available in this configuration are the push button, capable of operating all 5 actuators. The padded top in high density rubber is covered with fireproof class 1 IM coated fabric (skai, imitation leather), washable with common detergents on the market. The structure is equipped with a leg support slider kit and **paper roll holder**. **Anatomical leg holders are included**, it is possible to add as an optional a skai leather cover to them. There are also multifunctional side guides useful for eventual armrests. **It is possible to add as an optional retractable or arch system wheels**. The capacity of this structure is 250kg.

The electrical parts comply with current hospital regulations.



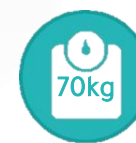
### TECHNICAL FEATURES

The construction materials are square, rectangular and round tubular furniture from Uni 7947/81 and 8913, DIN 2394, threaded bushes in AVP, flat in FE. The actuators are distinguished by their thrust force.

The vertical electric columns have a thrust equal to 2000N each 1. The 5000N backrest and the 2000N the leg side. The structure follows a process of phospho-degreasing, rinsing and application of the powdered paint cured at 200 ° C. Its minimum thickness is 70/80 microns. The high density rubber padding is covered with fireproof class 1 IM coated fabric (skai, imitation leather).



PORTATA  
CAPACITY



PESO  
WEIGHT



IMPERMEABILE  
WATERPROOF

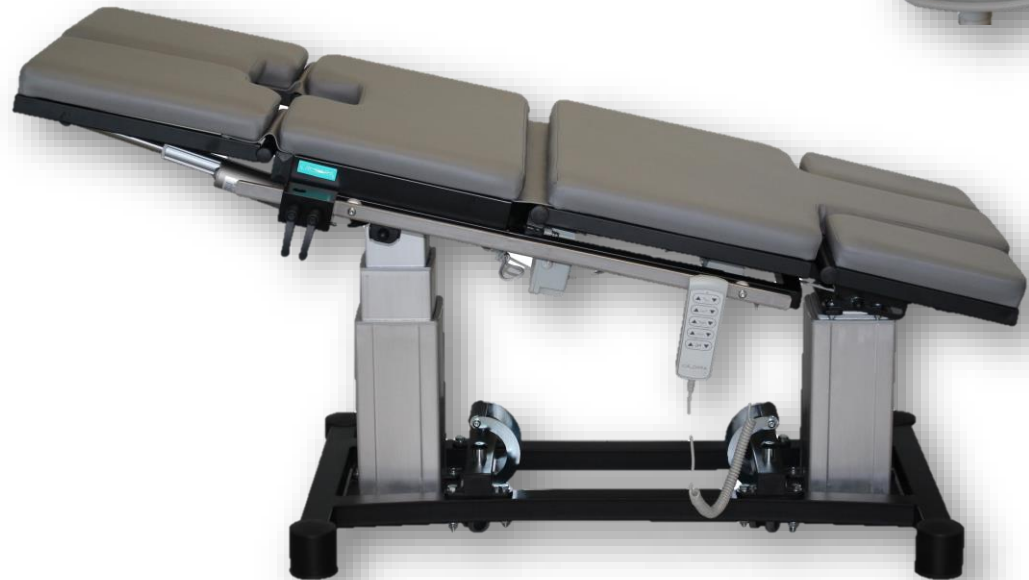
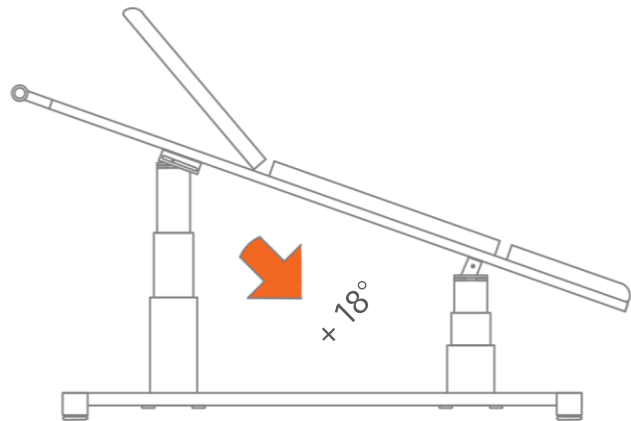
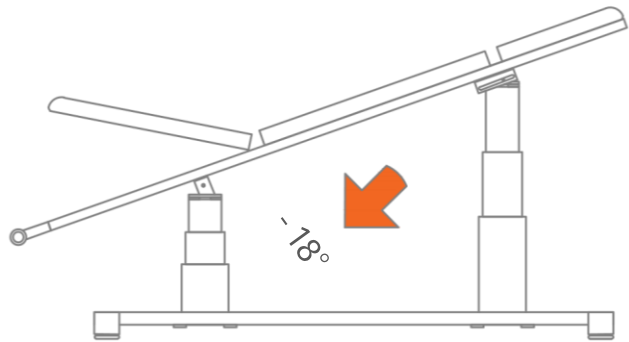


IGNIFUGO  
FIREPROOF

## 3XL37PRO DIMENSIONS



## TRENDELENBURG/ ANTI TRENDELENBURG POSITION



## PADDING

The padding is made of fire-retardant high-density class 1 IM rubber fabric (skai, imitation leather) washable with common detergents on the market.



IMPERMEABILE  
WATERPROOF



IGNIFUGO  
FIREPROOF

## AVAILABLE COLOURS



## OPTIONAL

- 3XL37PRO.2 - Adjustable armrests on multifunctional steel sliding bar for accessories
- 3XL37PRO.3 - Seat booster cushion
- A12LVP - Customised anatomical leg holder covers 2 pcs
- OPT3.3XL - Retractable wheels kit
- OPT6.3XL - Wheel kit with arch system



## CONFORMITY

Class 1 medical device compliant with the requirements of the EEC directive 2017/745.

NATIONAL CLASSIFICATION OF MEDICAL DEVICES

Manufacturer: CALDARA SRL

Code attributed by CALDARA SRL:  
3XL37PRO



web link

**CALDARA SRL**

Via Trieste 31/B  
22036 Erba (CO)

Italy

PH: +39 031640896

[info@caldarasrl.it](mailto:info@caldarasrl.it)

[www.caldarasrl.it](http://www.caldarasrl.it)