

CALDARA




100% MADE IN ITALY

CE MARKED PROTECTIVE VISOR (Si-Visq) WITH 3-REGULATION SYSTEM

VP1

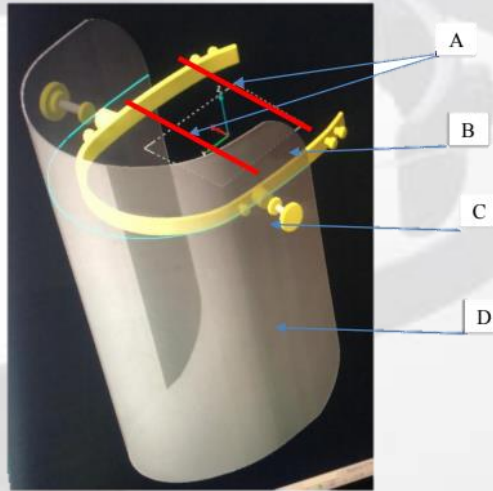


INTRODUCTION

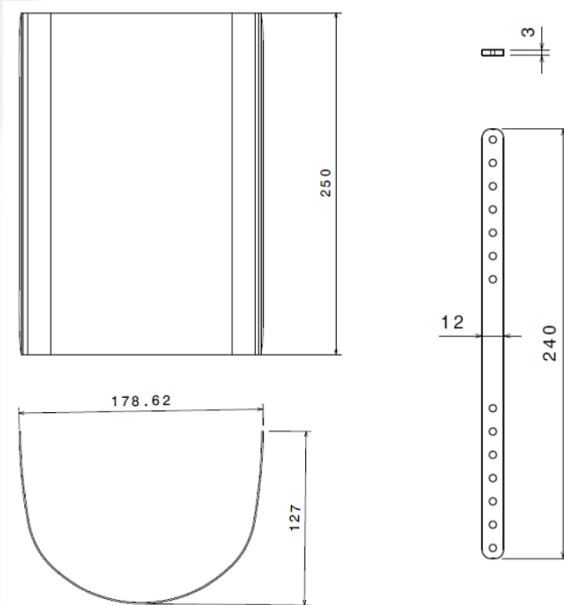
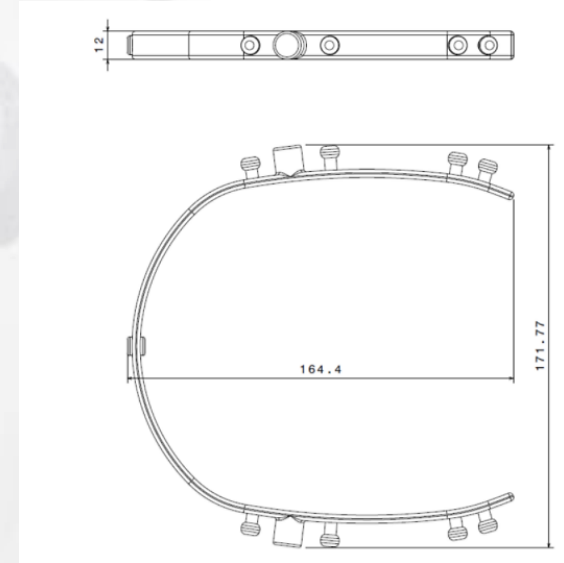
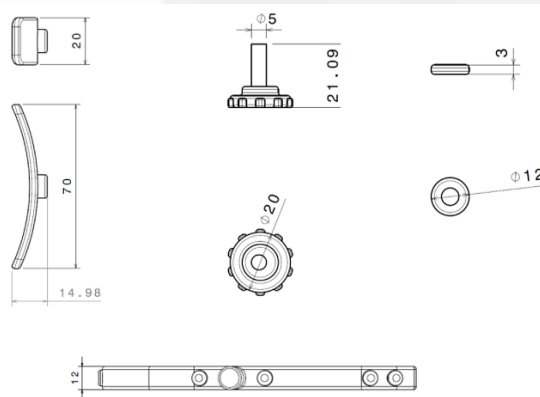
It is necessary to protect yourself in all situations of infectious danger. The protective visor protects the eyes and mucous membranes of the mouth. Its use does not allow saliva particles to come into contact with the mucous membrane of the eyes or mouth, thus protecting it from contact infections.

The visor structure is made of Polypropylene suitable for contact with food and skin, while the visor is made of PETG with high quality optical characteristics that does not cause image distortion and eye strain as well as ensuring excellent impact resistance. The head harness is designed in thermoplastic rubber so that the visor can be put on and taken off easily. The head harness is self-adjustable and is strong enough to hold the visor securely in place and meets the adjustment requirements. The choice of materials was made on the basis of the specific physical-mechanical characteristics of the same, since these materials guarantee excellent inertia and chemical resistance to many acids and alkalis, but above all to alcohol that should be used for sanitizing the visor. This is to ensure that the visor is not corroded, damaged, deformed as a result of the sanitization process since, in accordance with ISO standards, if the visor is designed to be reusable, the materials used must withstand cleaning agents and procedures and disinfection recommended by the manufacturer. In this regard, it is specified that, in order to prevent the removal of the parts forming the visor from generating contamination, it has been provided that the visor, after use, can be immersed in alcohol or disinfectant solution. In terms of fit and ergonomics, the visor is designed to provide an adequate seal on the wearer's face against the ambient atmosphere, when the skin is dry or moist and when the wearer moves his head. The parts of the device that can come into contact with the wearer have no sharp edges or burrs.

TECHNICAL FEATURES

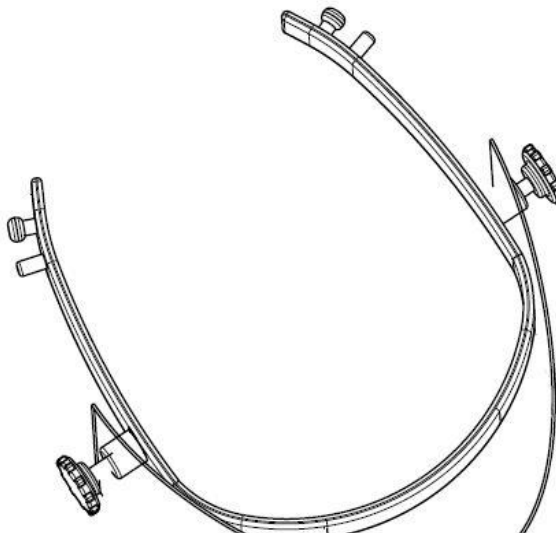
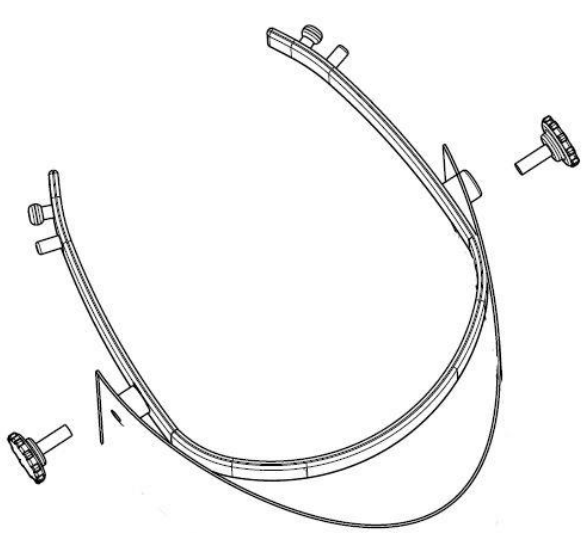
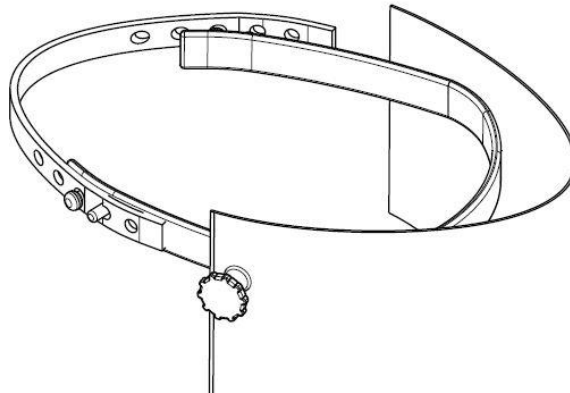
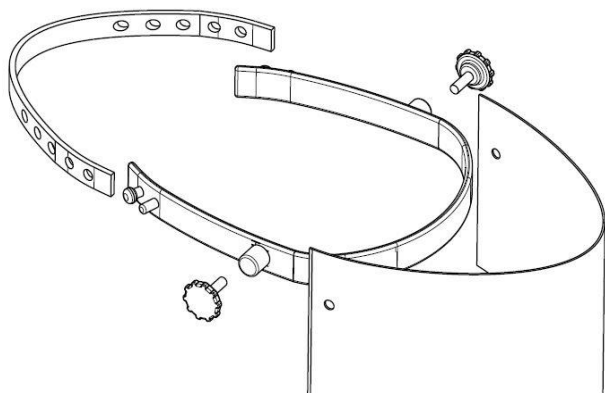


- A: Fixing elastics
- B: Adjustable headband
- C: Adjustment and rotation knobs
- D: Visor



VP1

ASSEMBLY



OPTIONAL

- VP1.1 - SUPERIOR-PROTECTIVE EXTRA BAND FOR VP1/2





web link

CALDARA SRL

Via Trieste 31/B
22036 Erba (CO)
Italy

Ph: +39 031640896

info@caldarasrl.it

www.caldarasrl.it