

CALDARA



100% MADE IN ITALY

MO00047

Blood collection/relax synchro armchair

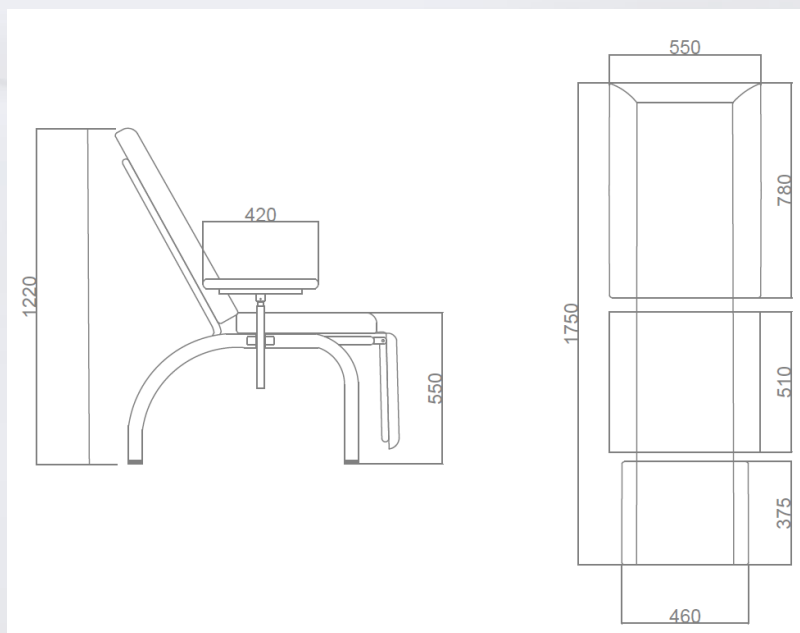


MO00047

BASIC CONFIGURATION

The armchair is made of metal with oval section, square and round. A 50x25x1.5 oval tubular was used for the legs; for the central frame a 30x30x1.5 square and for the cushions a round tube diam.25x1.5. The structure is completely painted with white epoxy powder. The top in high-density rubber is covered in fireproof (class 1 IM) coated fabric (skai). The synchronized adjustment of the two cushions is regulated by a gas spring operated by a comfortable handle placed behind the backrest. The inclination of the backrest is equal to about -5° in Trendelenburg position.

The armrests are known as articulated joints which guarantee a perfect inclination during their use; they can be adjusted in height and extracted by 180° rotation. There are four adjustable feet that embraces optimal stability.



TECHNICAL FEATURES

The construction materials are oval square and round tubular furniture for Uni 7947/81 and 8913, DIN furniture 2394, threaded bushes in AVP, plates in Fe.

The padded top has a base in wood material, the polyurethane foam padding is covered in fireproof fabric (skai, fake leather) class 1 fireproof Im.

The structure follows a process of phospho-degreasing, rinsing and application of the powder paint cured at 200°C. The colour is white Ral. 9003, its minimum thickness is 70/80 microns. The finish is glossy.



**PORTATA
CAPACITY**



**PESO
WEIGHT**

PADDING

The padding is in high density rubber, its cover is in fireproof class 1 IM coated fabric (skai, imitation leather), washable with common detergents on the market.



IMPERMEABILE
WATERPROOF



IGNIFUGO
FIREPROOF

OPTIONAL

- MO00052 - Paper roll-holder
- A1.MO47 - IV Pole
- A3.MO47 - Push handle



CONFORMITY

Class 1 medical device compliant with the requirements of the EEC directive 93/42.

NATIONAL CLASSIFICATION OF MEDICAL DEVICES (CND)

Manufacturer: CALDARA SRL

Code attributed by CALDARA SRL: MO00047

CND classification: V0802

Progressive number assigned by the system (RDM): 1554792/R

AVAILABLE COLOURS





web link

CALDARA SRL

Via Trieste 31/B
22036 Erba (CO)

Italy

PH: +39 031640896

info@caldarasrl.it

www.caldarasrl.it